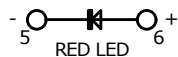
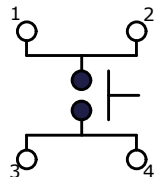
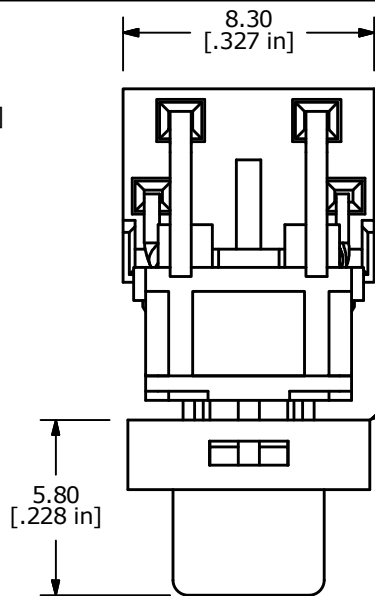


P.C.B LAYOUT

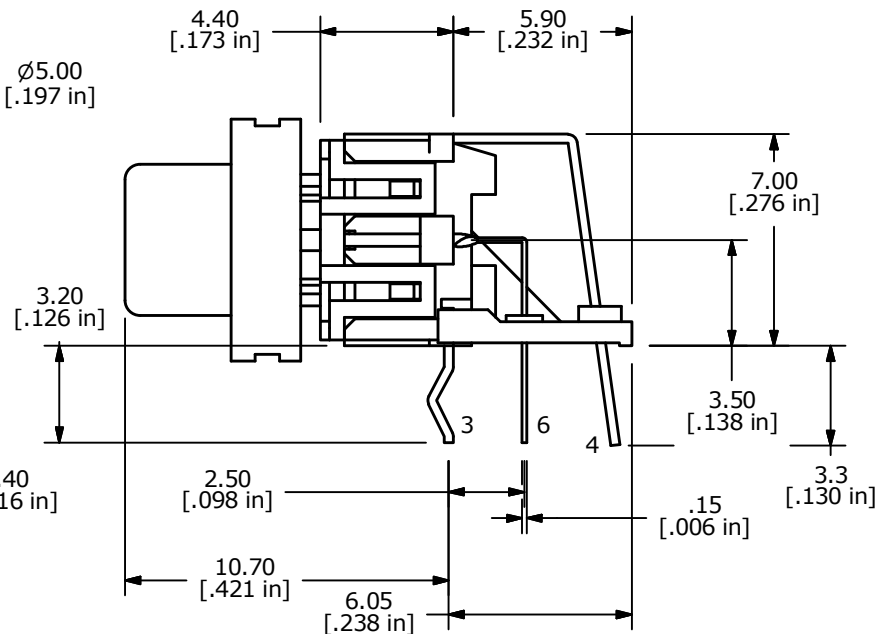
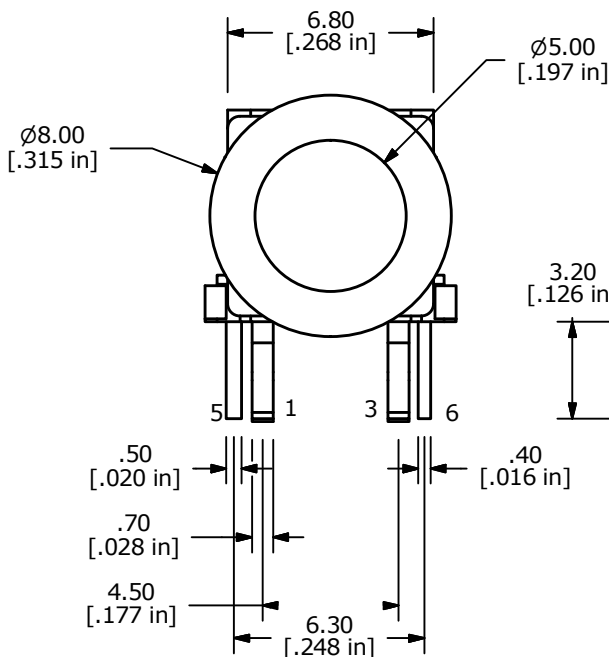
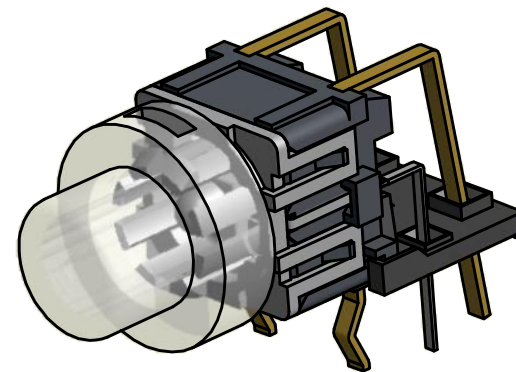


▲CIRCUIT: SPST

LED SPECS	UNITS	RED
FORWARD CURRENT	mA	20
FORWARD VOLTAGE @20mA	V	1.95-2.5
LUMINOUS INTENSITY @ 20mA	mcd	1800



▲ CAP MATERIAL TO BE CLEAR POLYCARBONATE



- NOTES:
- ALL DIMENSIONS IN MM [INCH]
  - GENERAL TOLERANCE: X.X=±0.4  
X.XX=±0.25
  - RATING: 50mA @ 12VDC
  - CONTACT RESISTANCE: 100mΩ MAX.
  - INSULATION RESISTANCE: 100MΩ MIN.
  - OPERATING FORCE: 180 ± 60gf
  - TRAVEL: 0.2 ± 0.1mm
  - OPERATING TEMPERATURE: -20°C TO 70°C
  - OPERATING LIFE: 50,000 CYCLES
  - ▲10. LED: RED
  - ▲11. CONTACTS: SILVER.
  - ▲ DENOTES CRITICAL PARAMETERS
  - 2011/65/EU (ROHS) COMPLIANT
  - PARTS TO BE PACKAGED IN TRAYS, 100 PIECES PER TRAY.



B	23178	UPDATED NOTE ..TUBES,60 TO TRAYS,100	1/22/18	MJR
A	18573	Release For Production	7/14/09	BLR
REV	PCR NO	DESCRIPTION	DATE	BY

TITLE TL1250F180RQRCLR				
SCALE	DATE	DR	DWG	REV
4:1	7/14/2009	BLR	P010820	B